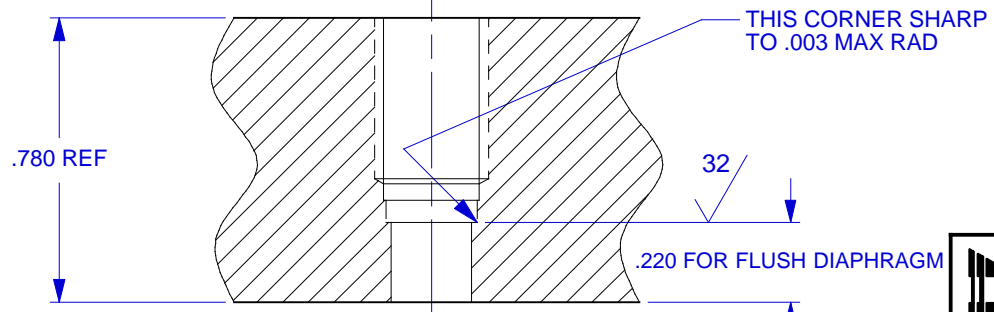
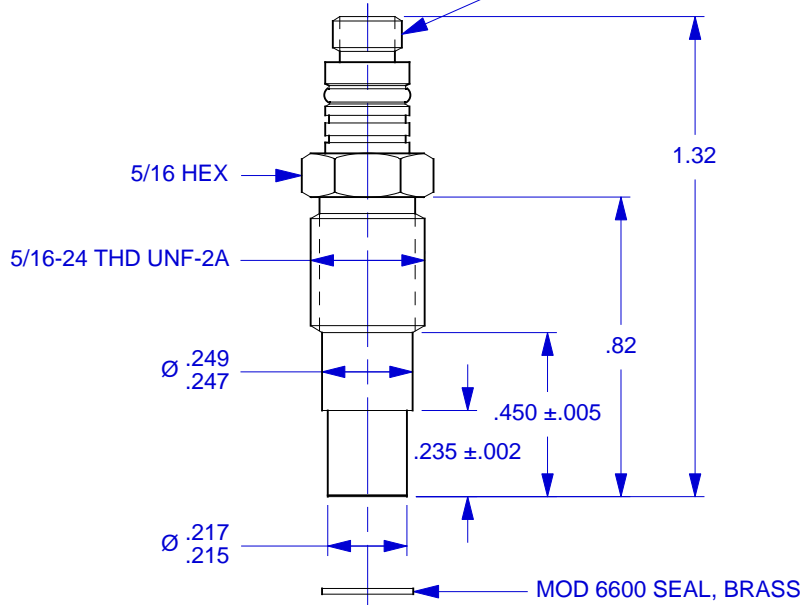
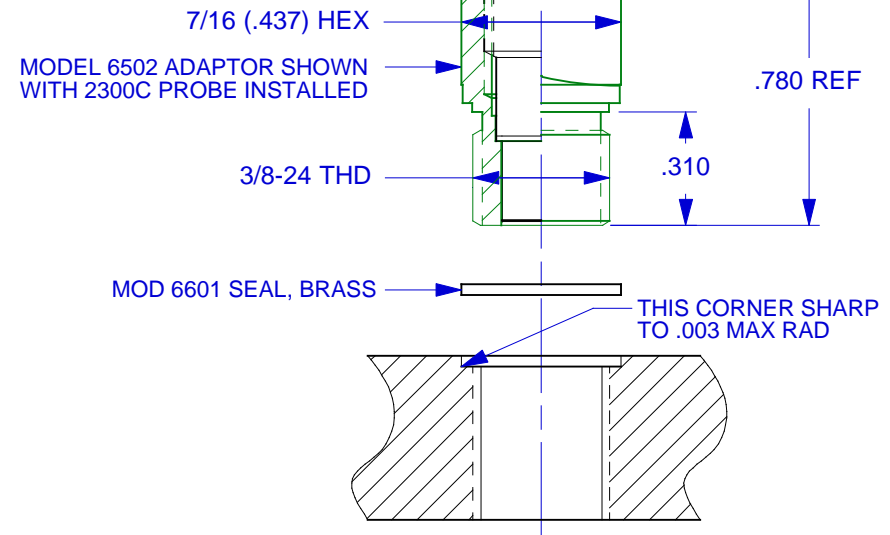


10-32 COAXIAL CONNECTOR



- PORT PREPARATION INSTRUCTIONS, 2300V**
1. DRILL AND REAM $\phi .221 + .001 / - .000$ THRU
 2. C'BORE (OR END CUTTING REAM) 1/4 ($\phi .250 + .003 / - .000$) X .560 DEEP
 3. C'DRILL $\phi .272 + .003 / - .001$ X .500 DEEP
 4. BOTTOM TAP 5/16-24 UNF-2B X .440 MIN DEPTH

1. MOUNTING TORQUE FOR 2300C PROBE: 30 LB-INCHES.
2. MOUNTING TORQUE FOR 6502 ADAPTOR: 50-60 LB-INCHES.



- PORT PREPARATION INSTRUCTIONS, 6502**
1. DRILL Q ($\phi .332$) THRU (OR .450 MIN DEPTH)
 2. TAP 3/8-24 UNF-2B X .350 MIN DEPTH
 3. C'BORE $\phi .437 + .003 / - .000$ X .030 DEEP

		Presented By: A-Tech Instruments Ltd. Phone: 416 754 7008 Fax: 416 754 2351 Email: sales@a-tech.ca (2008)		
SCALE	2X	REV	DATE	ECN
DATE	8/12/96	PART NO.		
DRAWN	N.C.	CHECKED	R.A.	MAT'L
APPROVED	NEXT ASSEMBLY		USED ON	
TITLE				DWG NO.
OUTLINE/INSTALLATION DRAWING, MODEL 2300C				127-2300C
				SHEET 1 OF 1

**SPECIFICATIONS MODEL SERIES 2300C
QUARTZ PIEZOELECTRIC PRESSURE SENSORS**

SPECIFICATION	VALUE	UNITS
SENSITIVITY (all models)	0.35	pC/PSI
RANGE		
MODEL		
2300C1	100	PSI
2300C2	500	PSI
2300C3	1,000	PSI
2300C4	3,000	PSI
2300C5	5,000	PSI
2300C6	10,000	PSI
2300C7	15,000	PSI
MAXIMUM PRESSURE (all mods. except 2300C7)	15,000	PSI
MAXIMUM PRESSURE MODEL 2300C7	18,000	PSI
RESONANT FREQUENCY, NOM.	500	kHz
CAPACITANCE, TYP.	8.0	F
RISE TIME, NOM.	1.0	μSEC
ACCELERATION SENSITIVITY, AXIAL DIRECTION	.002	PSI/G
NON-LINEARITY, TYP.	+/-1.0	% FS
TEMPERATURE RANGE	-100 to + 500	°F
COEFFICIENT OF THERMAL SENSITIVITY	.01	%/°F
MAXIMUM SHOCK	10,000	G
MAXIMUM VIBRATION	+/- 2500	G
MATERIAL, HOUSING/DIAPHRAGM	17-4 ph/316L	ST. STEEL
ELECTRICAL CONNECTOR	10-32	COAXIAL
ENVIRONMENTAL SEAL	TIG WELD/GLASS-TO-METAL	HERMETIC
WEIGHT	6.5	GRAMS

[1] Over any calibrated full scale range within full scale range, zero based best fit straight line method.

[2] maximum flash temperature, short duration, 3000° F.