

ECONOMICAL BENDING BEAM LOAD CELL

EBB SERIES BEAM LOAD CELL

CAPACITY RANGES:
1, 2, 5, 10 Kg.

The EBB Series is a economical low capacity bending beam load cell suitable for use in a variety of industrial and OEM force measurement and weighing applications. It is made of an aluminum alloy and comes in 1, 2, 5 and 10 kilogram ranges.



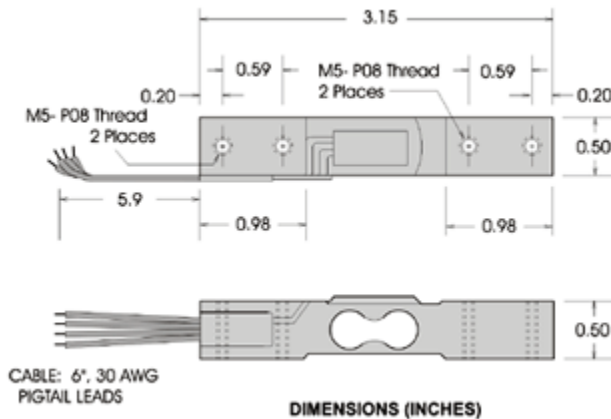
SPECIFICATIONS

Rated Output (R.O.): 0.5 mV/V \pm 10%
 Nonlinearity: 0.1% of R.O.
 Hysteresis: 0.1% of R.O.
 Nonrepeatability: 0.05% of R.O.
 Zero Balance: \pm 1 mV/V
 Compensated Temp. Range: 14°F to 104°F
 Safe Temp. Range: 14° to 140°F
 Temp. Effect on Output: 0.01% of Load/°F
 Temp. Effect on Zero: 0.01% of R.O./°F
 Terminal Resistance: 350 ohms nominal
 Excitation Voltage: 5 VDC (8 VDC max.)
 Safe Overload: 200% of R.O.
 Cable: 6", 30 AWG pigtail leads

MODEL	CAPACITY Kg.	CAPACITY LBS.
EBB-1	1	2.2
EBB-2	2	4.4
EBB-5	5	11
EBB-10	10	22

Wiring Color Code

+Exc. Red -Exc Black
 +Sig Green -Sig White



↓
 DIRECTION
 FOR (+) POLARITY