

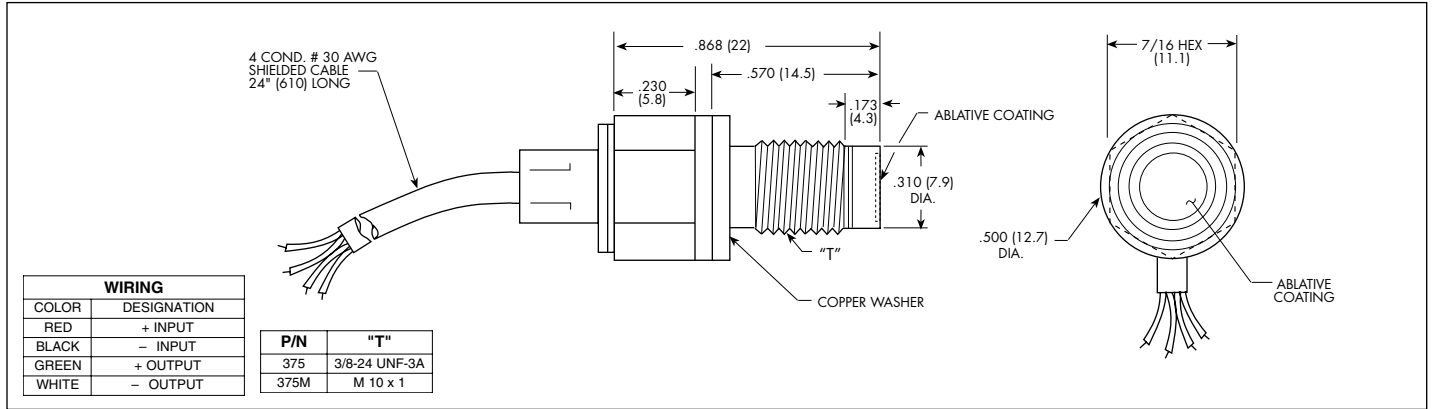


HIGH PRESSURE RUGGEDIZED DYNAMIC RESPONSE IS[®] PRESSURE TRANSDUCER

HKS-11-375 (M) SERIES

- Low Impedance High Output
- Very High Natural Frequency
- Excellent Signal To Noise Ratio
- Designed For Pressure Blast Applications

Designed for high pressure, high shock environments, this range of transducers is widely used in both military and commercial applications.



WIRING	
COLOR	DESIGNATION
RED	+ INPUT
BLACK	- INPUT
GREEN	+ OUTPUT
WHITE	- OUTPUT

P/N	"T"
375	3/8-24 UNF-3A
375M	M 10 x 1

INPUT	70	140	350	700	1400	2100 BAR
Pressure Range	1000	2000	5000	10000	20000	30000 PSI
Operational Mode	Sealed Gage					
Over Pressure	100	210	510	1000	1700	2450 BAR
	1500	3000	7500	15000	25000	35000 PSI
Burst Pressure	210	420	840	1400	2100	2800 BAR
	3000	6000	12000	20000	30000	40000 PSI
Pressure Media	Any Liquid or Gas Compatible With 15-5 PH or 316 Stainless Steel					
Rated Electrical Excitation	10 VDC/AC					
Maximum Electrical Excitation	15 VDC/AC					
Input Impedance	1000 Ohms (Nom.)					
OUTPUT	1000 Ohms (Nom.)					
Output Impedance	1000 Ohms (Nom.)					
Full Scale Output (FSO)	100mV (Nom.)	100mV (Nom.)	100mV (Nom.)	100mV (Nom.)	100mV (Nom.)	75mV (Nom.)
Residual Unbalance	± 5 mV					
Combined Non-Linearity, Hysteresis and Repeatability	± 0.1% FSO BFSL (Typ.) ± 0.5% FSO (Max.)					
Hysteresis	0.25% (Typ.)					
Repeatability	0.25% (Typ.)					
Resolution	Infinitesimal					
Natural Frequency (KHz) (Typ.)	720	900	1120	1350	1600	1800
Acceleration Sensitivity % FS/g						
Perpendicular	6.2x10 ⁻⁵	2.7x10 ⁻⁵	1.5x10 ⁻⁵	1.3x10 ⁻⁵	8.6x10 ⁻⁶	6.0x10 ⁻⁶
Transverse	4.3x10 ⁻⁶	2.4x10 ⁻⁶	1.5x10 ⁻⁶	1.3x10 ⁻⁶	1.0x10 ⁻⁶	8.0x10 ⁻⁷
Insulation Resistance	100 Megohm Min. @ 50 VDC					
ENVIRONMENTAL						
Operating Temperature Range	-65°F to +300°F (-55°C to +150°C)					
Compensated Temperature Range	80°F to +180°F (25°C to +80°C) Any 100°F Range Within The Operating Range on Request					
Thermal Zero Shift	± 6% FS/100°F (Typ.)					
Thermal Sensitivity Shift	± 6% FS/100°F (Typ.)					
Steady Acceleration	10,000g. (Max.)					
Linear Vibration	10-2,000 Hz Sine, 100g. (Max.)					
PHYSICAL						
Electrical Connection	4 Conductor 30 AWG Shielded Cable 24" Long					
Weight	10 Grams (Nom.) Excluding Cable and Amplifier					
Pressure Sensing Principle	Fully Active Four Arm Wheatstone Bridge Dielectrically Isolated Silicon on Silicon					
Mounting Torque	80-120 Inch-Pounds (Max.)					
Diaphragm Coating	Ablative Coating Standard					

Note: Custom pressure ranges, accuracies and mechanical configurations available. Dimensions are in inches. Dimensions in parenthesis are in millimeters. Continuous development and refinement of our products may result in specification changes without notice - all dimensions nominal. (C)