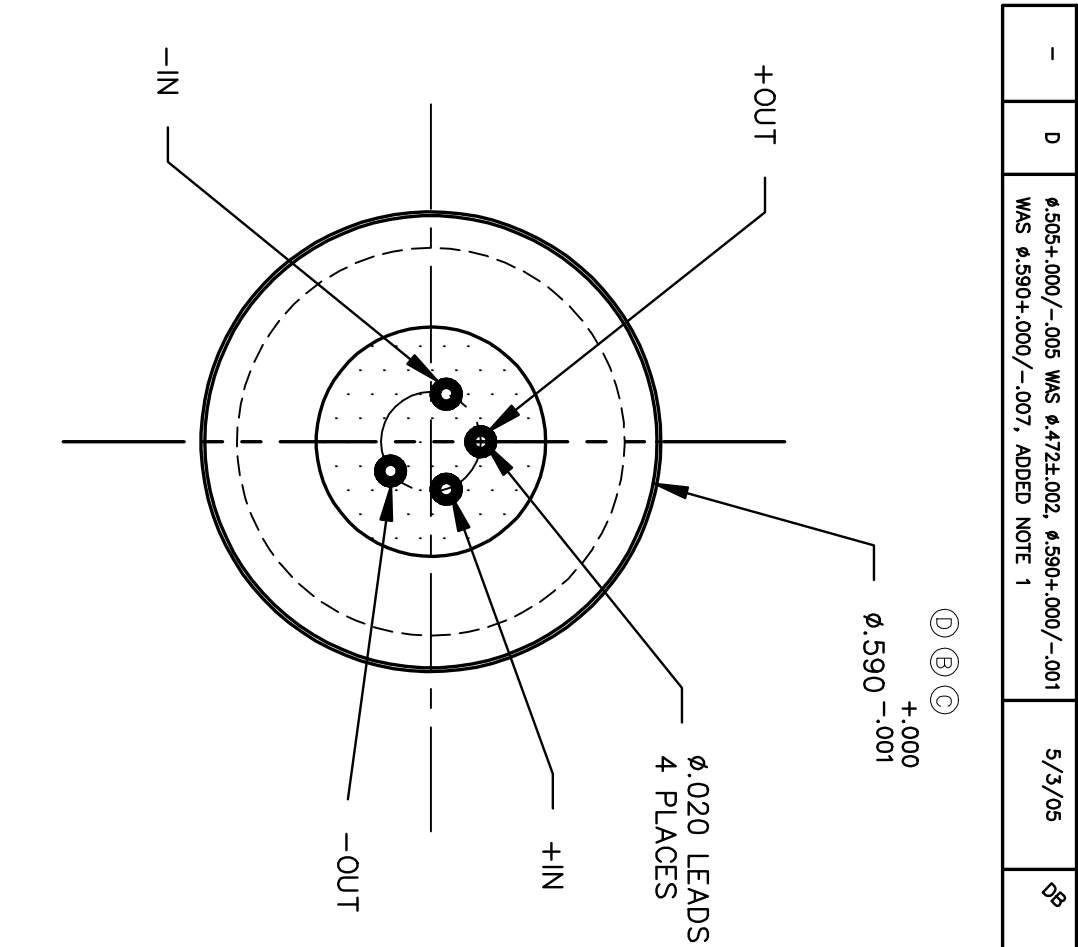
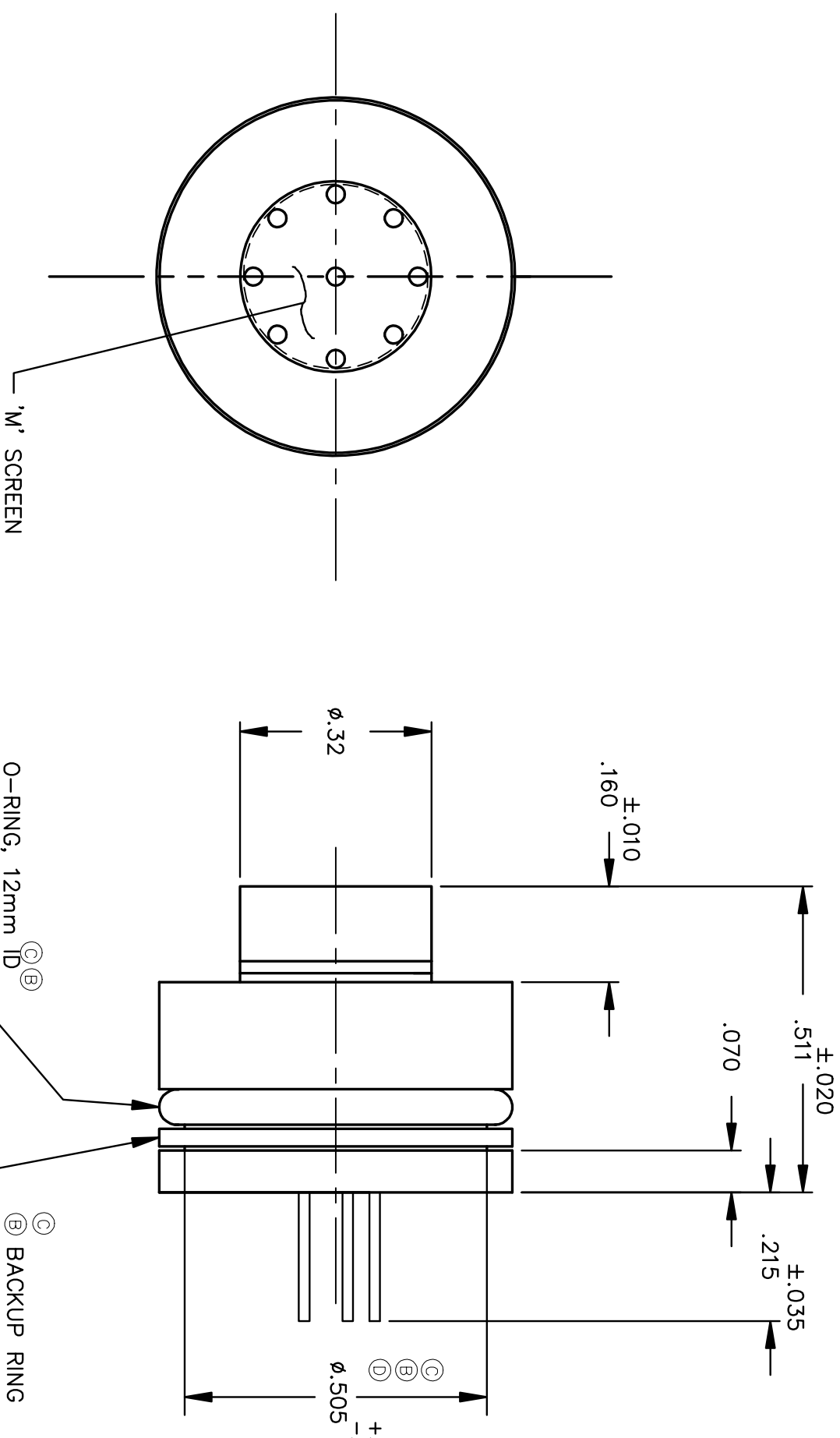


NOTE:
1. O-RING AND BACKUP RING NOT SUPPLIED BY KULITE, REF. ONLY.



REVISIONS				
ZONE	REV	DESCRIPTION	DATE	APPROVED
-	A	REVISED FSO (SHEET 2) FROM 100 mv TO 150 mv	9/15/03	B' SJK PA
-	B	UPDATED PER DESIGN REVIEW.	01.05.04	AM RG PA
-	C	REVISED UNIT TO REV. A CONFIGURATION	4-22-05	APM SJK RG
-	D	Ø.505+0.00/-0.005 WAS Ø.472±.002, Ø.590+0.000/-0.001 WAS Ø.590+0.000/-0.007, ADDED NOTE 1	5/3/05	GB

O-RING, 12mm ID X 1.5mm CS (REF.) (SEE NOTE 1)
 BACKUP RING 15mm OD 12.8mm ID .75mm THICK (REF.) (SEE NOTE 1)

Presented By :
A-Tech Instruments Ltd.
 Homepage: www.a-tech.ca
 Email: sales@a-tech.ca
 Phone 416 754 7008 Fax 416 754 2351

THIS DOCUMENT CONTAINS COPYRIGHTED MATERIAL AND INFORMATION PROPRIETARY TO KULITE SEMICONDUCTOR PRODUCTS, INC. AND IS TENDERED IN CONFIDENCE AND ACCEPTED BY THE RECIPIENT FOR THE SOLE PURPOSE OF AIDING THE TRANSACTION OF BUSINESS BETWEEN KULITE AND THE RECIPIENT. PERMISSION IS EXPRESSLY WITHHELD REGARDING THE RECIPIENT'S REPRODUCTION, TRANSMISSION, OR ANY OTHER ACTING THEREON TO OTHERS OUTSIDE THE RECIPIENT'S ORGANIZATION OR TO THE REPRODUCTION OF ALL OR PART OF THIS DOCUMENT.


SCHEMATIC		UNLESS OTHERWISE SPECIFIED		DO NOT SCALE DRAWING		 One Willow Tree Road, Leonia, New Jersey 07605, tel: (201)461-0900	
LABEL	N/A	DIMENSIONS ARE IN INCHES		DR	PA	12/12/02	OUTLINE, TRANSDUCER IPT-4-600 SIZE FSCM NO. 34345 DWG NO. 210-B-56681 SCALE 4 : 1 SHEET 1 OF 2
OUTLINE	N/A	TOLERANCES ON DECIMALS		CHKD	SJK	12/19/02	
ASSEMBLY	220-B-56682	IN PARENTHESIS X = ±.1		APPD	SG	1/23/03	
PARTS LIST	230-A-56683	XX = ±.01		MATERIAL		N/A	
REFERENCE DOCUMENT	DRAWING NUMBER	MILLIMETERS XXX = ±.005		WORKMANSHIP OF MACH. PARTS TO BE IN ACCORDANCE WITH KULITE ST-D 1036		PROTECTIVE FINISH	N/A

REVISIONS				
ZONE	REV	DESCRIPTION	DATE	APPROVED
-	-	SEE SHEET 1 OF 2	-	-

PERFORMANCE SPECIFICATIONS

INPUT	
PRESSURE RANGE	0-15000 PSI
OPERATION MODE	ABSOLUTE
ELECTRICAL EXCITATION	5 Volts WITH 499 Ohms IN SERIES WITH INPUT
INPUT IMPEDANCE	5000 Ohms (NOM.)
OUTPUT	
RESIDUAL UNBALANCE	0 to 10 mV (MUST BE POSITIVE AT ALL TEMP.)
OUTPUT IMPEDANCE	5000 Ohms (NOM.)
FULL SCALE OUTPUT (FSO)	80 mV MIN., 150 mV MAX. @ ROOM TEMP.
COMBINED NON-LINEARITY AND HYSTERESIS	±0.25% FSO BFSL (0°C TO 175°C MAX.)
ENVIRONMENTAL	
* OPERATING TEMPERATURE RANGE	-40°C TO 200°C
VIBRATION	50g RMS (UP TO 1000 Hz)
SHOCK	250g HALF SINE WAVE 2 ms
PHYSICAL	
O-RING SEAL	VITON 90D
BACKUP RING	CUT RING VERSION PEEK
ELECTRICAL CONNECTION	4 CONDUCTOR, .020"-.025"
SENSING PRINCIPAL	FULLY ACTIVE 4 ARM WHEATSTONE BRIDGE

* UNCOMPENSATED

SCHEMATIC		N/A	UNLESS OTHERWISE SPECIFIED		DO NOT SCALE DRAWING		 KULITE SEMICONDUCTOR PRODUCTS, INC. One Willow Tree Road, Leonia, New Jersey 07605, tel: (201)461-0900	SIZE FSCM NO. 34345 DWG NO. 210-B-56681 REV D
LABEL		N/A	DIMENSIONS ARE IN INCHES		DR	PA		
OUTLINE		210-B-56681	TOLERANCES ON DECIMALS		CHKD	SJK	12/19/02	IPT-4-600 OUTLINE TRANSDUCER,
ASSEMBLY		220-B-56682	IN PARENTHESIS X = ±.1		APPD	SG	1/23/03	
PARTS LIST		230-A-56683	ARE IN XX = ±.01		MATERIAL		N/A	SCALE 4 : 1
REFERENCE DOCUMENT		DRAWING NUMBER	MILLIMETERS XXX = ±.005		PROTECTIVE FINISH		N/A	
			WORKMANSHIP OF MACH. PARTS TO BE IN ACCORDANCE WITH KULITE ST-D 1036					

Presented By :
A-Tech Instruments Ltd.
 Email: sales@a-tech.ca
 Homepage: www.a-tech.ca
 Phone 416 754 7008 Fax 416 754 2351

THIS DOCUMENT CONTAINS COPYRIGHTED MATERIAL AND INFORMATION PROPRIETARY TO KULITE SEMICONDUCTOR PRODUCTS, INC. AND IS TENDERED IN CONFIDENCE AND ACCEPTED BY THE RECIPIENT FOR THE PURPOSE OF AIDING THE TRANSACTION OF BUSINESS BETWEEN KULITE AND THE RECIPIENT. PERMISSION IS EXPRESSLY WITHHELD REGARDING THE DISCLOSURE OF THIS DOCUMENT OR THE INFORMATION HEREIN CONTAINED TO OTHERS OUTSIDE THE RECIPIENT'S ORGANIZATION OR TO THE REPRODUCTION OF ALL OR PART OF THIS DOCUMENT.