



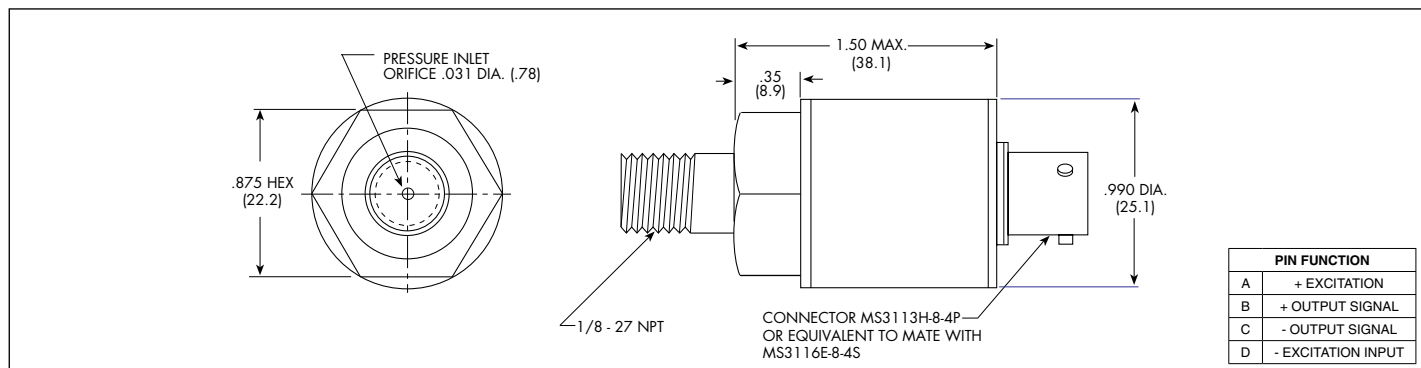
ABSOLUTE PRESSURE TRANSDUCER

SPT-1000 SERIES

- All Stainless Steel Construction
- Hermetically Sealed
- Dielectrically Isolated
- Silicon on Silicon Sensor

**Off The Shelf -
Immediate Delivery**

The SPT-1000 Series Pressure Transducer offers state of the art technology in a low cost mechanically robust package.



INPUT	100	200	300	2500 PSI
Pressure Range				
Operational Mode	Absolute			
Over Pressure	2 Times Rated Pressure			
Burst Pressure	3 Times Rated Pressure			
Pressure Media	Any Liquid or Gas Compatible With 17-4PH or 316 Stainless Steel			
Rated Electrical Excitation	12 VDC			
Input Impedance	500 Ohm (Min.)			
OUTPUT				
Output Impedance	2000 Ohm (Max.)			
Full Scale Output (FSO)	100 mV (Nom.)			
Residual Unbalance	± 5 mV (Typ.)			
Combined Non-Linearity, Hysteresis and Repeatability	± 0.1% FSO BFUL (Typ.)			
Hysteresis	± 0.1% FSO (Max.)			
Repeatability	± 0.1% FSO (Max.)			
Resolution	Infinitesimal			
Insulation Resistance	50 Megohm Min. @ 50 VDC			
ENVIRONMENTAL				
Operating Temperature Range	0°F to +250°F (-18°C to +120°C)			
Compensated Temperature Range	80°F to +180°F (25°C to +80°C)			
Compensated Total Error Band	± 2%			
Altitude	-150 ft. to +70,000 ft. Will Not Damage Sensor			
Humidity	100% Relative Humidity			
PHYSICAL				
Pressure Port	1/8 - 27 NPT			
Electrical Connection	MS3113H-8-4P or Equivalent			
Weight	80 Grams Approx.			
Pressure Sensing Principle	Fully Active Four Arm Wheatstone Bridge Dielectrically Isolated Silicon on Silicon			

Note: Custom pressure ranges, accuracies and mechanical configurations available. Please consult factory for cost and availability.

Dimensions are in inches. Dimensions in parenthesis are in millimeters.

Continuous development and refinement of our products may result in specification changes without notice - all dimensions nominal.