

Thread Sensing Probes from Lion Precision

Unique, application-specific probes designed for maximum thread-detection performance.

www.threadsense.com

Thread-sensing probes are used with our standard drivers (ECL100, ECA100) to detect thread presence/absence. The probes are designed with extended tips and longer threaded bodies for easy implementation in thread-sensing applications. They can be used with ferrous and nonferrous materials.

Features

- Easy Installation and Setup
- Reliable, Repeatable Performance
- Ferrous and Nonferrous Materials
- Cut and Roll-Formed Threads
- Optional Probe Crash Protection
- IP67 Rating (Probes)
- -25°C to +125°C Operating Temperature



T-Series for Threads

T-Series probes sense tapped threads in ferrous materials (cast iron, tool steel, etc.) and tapped or roll-formed threads in nonferrous materials (aluminum, zinc, copper, etc.).

Ferrous Materials

Use T-Series probes with the ECA100 Driver:

Adjustable analog voltage output and adjustable switched output.

Nonferrous Materials

Use T-Series probes with the ECL100 Driver:

Factory adjusted analog voltage output.

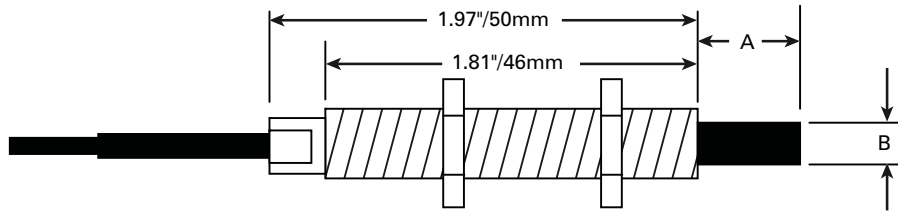
T-Series; Tapped Threads in Ferrous Materials		
Model	Metric	Inch
T5BZ	M5 x 0.8	-
T6BZ	M6 x 1	1/4-20 1/4-28
T7BZ	M7 x 1	5/16-18
T8BZ	M8 x 1 M8 x 1.25	5/16-24
T10BZ	M10 x 1.25 M10 x 1.5	3/8-24
T12BZ	M12 x 1.25 M12 x 1.75	1/2-13
T16BZ	M16 x 1.5 M16 x 2	-

T-Series; Tapped and Roll-Formed Threads in Nonferrous Materials		
Model	Metric	Inch
T5BZ	M5x0.8	-
T6BZ	M6x1	1/4 - 20 1/4 - 28
T7BZ	M7x1	5/16 - 18
T8BZ	M8x1 M8x1.25	5/16 - 24
T10BZ	M10x1.25 M10x1.5	3/8 - 16 3/8 - 24
T12BZ	M12x1.25 M12x1.75	7/16 - 20 1/2 - 13
T16BZ	M16x1.5 M16x2.0	-

Presented By :
A-Tech Instruments Ltd.
 Phone 416 754 7008 Fax 416 754 2351
 Email: sales@a-tech.ca



Thread-Detection Probe Mechanical Details



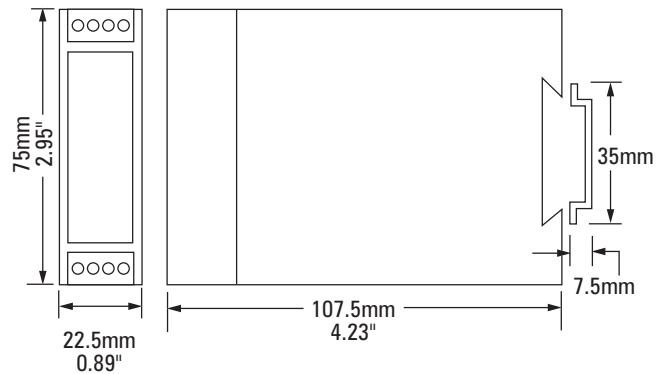
Mechanical Specifications			
Probe Model	A	B	Body Thread
T5BZ	0.87" / 22mm	0.13" / 3.3mm	M8x1
T6BZ		0.16" / 4.1mm	
T7BZ		0.20" / 5.1mm	
T8BZ		0.23" / 5.8mm	
T10BZ		0.30" / 7.5mm	M12x1
T12BZ		0.37" / 9.3mm	
T16BZ		0.52" / 13.1mm	

Driver Details

ECA100 & ECL100 Driver Specifications		
Driver Input Power	+12 to +24VDC 130mA @ 15V	
Driver Outputs	Voltage	0-10VDC
	Switch (ECA100 Only)	Closed contact above adjustable threshold 400V @ 100mA
Operating Temperature:	Std. Probes	-25°C to +125°C
	Ext. Temp. Probes	-25°C to +200°C
	Driver	0°C to +65°C
Probe Cables	Length	3 meters
	Jacket Material	Std. Temp. PUR Ext. Temp. TEFLON
Ratings	Driver	IP40 (CE Pending)
	Probes	Std. Temp. - IP67 Ext. Temp. - IP63
Driver Dimensions	Height	75mm / 2.95"
	Width	22.5mm / 0.89"
	Depth	107.5mm / 4.23"
	Weight	103g / 3.7oz.



ECL100 and ECA100 Drivers



Presented By :
A-Tech Instruments Ltd.
 Phone 416 754 7008 Fax 416 754 2351
 Email: sales@a-tech.ca