

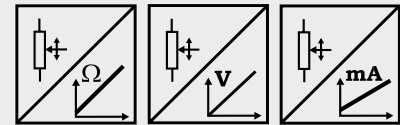
POSIWIRE®
WS100M
 with Analog Output

PRELIMINARY



Sensor for hostile environments and offshore applications

- Protection class IP68
- Measurement ranges: 0 ... 2000 mm, 0 ... 3500 mm, 0 ... 7500 mm and 0 ... 10000 mm
- Analog output



Specifications	Outputs	Potentiometer 1 kΩ Voltage 0 ... 10 V Current 4 ... 20 mA (2 or 3 wire)
	Material	Stainless steel; cable: stainless steel
	Resolution	Essentially infinite
	Sensing device	Hybrid precision potentiometer
	Connection	Cable output, standard length 3 m
	Linearity	Up to ±0.05 % f. s.
	Protection class	IP68
	Operation temperature	-20 ... +70 °C
	Environmental	
	EMC	Refer to output specification
Temperature	Refer to output specification	

Order code WS100M



Model name

Measurement range (in mm)

2000 / 3500 / 7500 / 10000

Outputs

- R1K = Potentiometer 1 kΩ
- 10V = 0 ... 10 V signal conditioner
- 420A = 4 ... 20 mA signal conditioner (2 wire)
- 420T = 4 ... 20 mA signal conditioner (3 wire)

Linearity

L10 = ±0.10 % f. s. option: L05 = ±0.05 % L25 = ±0.25 %

Cable fixing

- M4 = M4 thread
- SB0 = Cable clip

Connection

KAB3M = Cable output, standard length 3 m

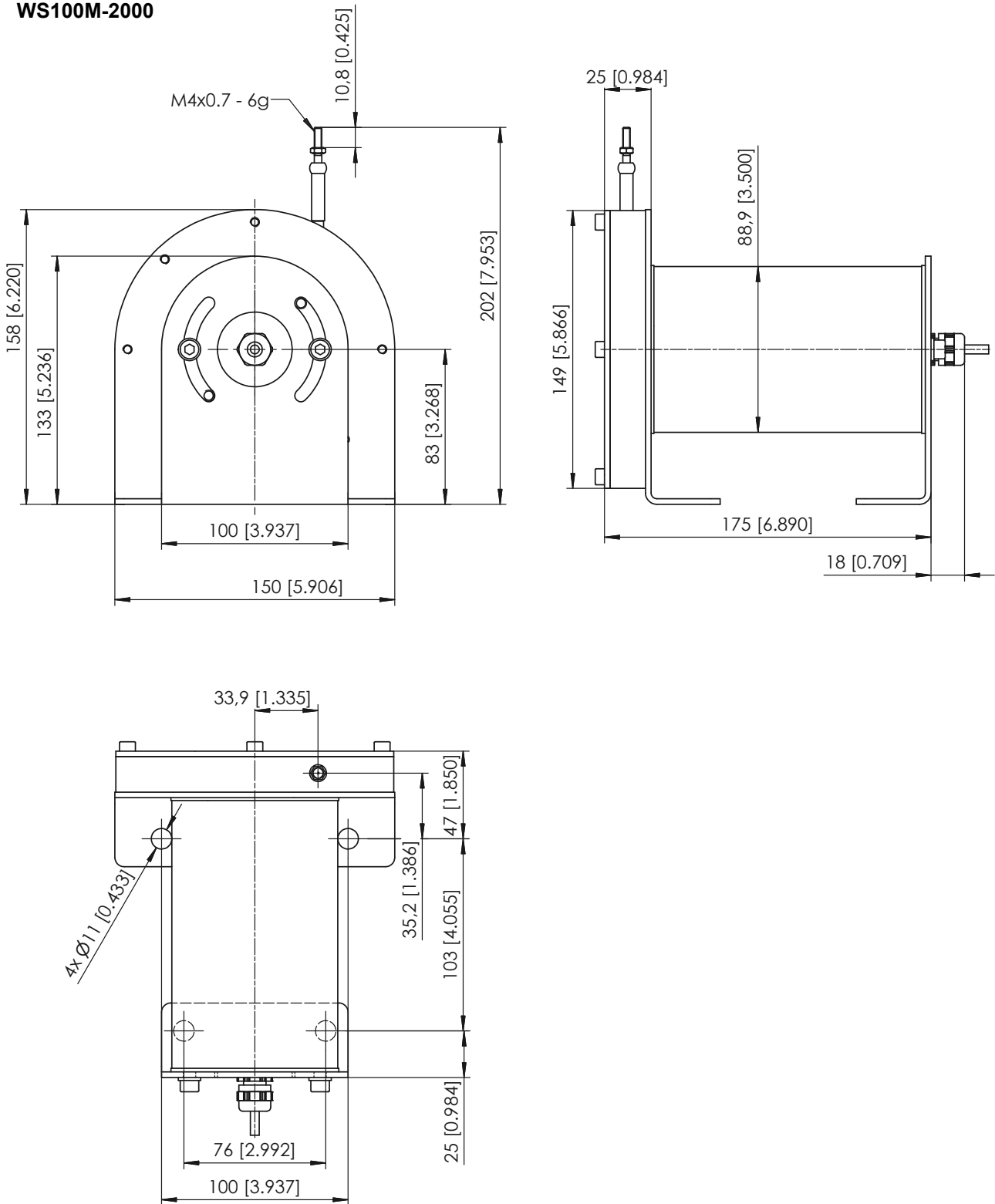
Order example: WS100M - 7500 - 420T - L10 - M4 - KAB3M

POSIWIRE®
WS100M
 with Analog Output

PRELIMINARY



Outline drawing
 WS100M-2000



Dimensions in mm [inch]

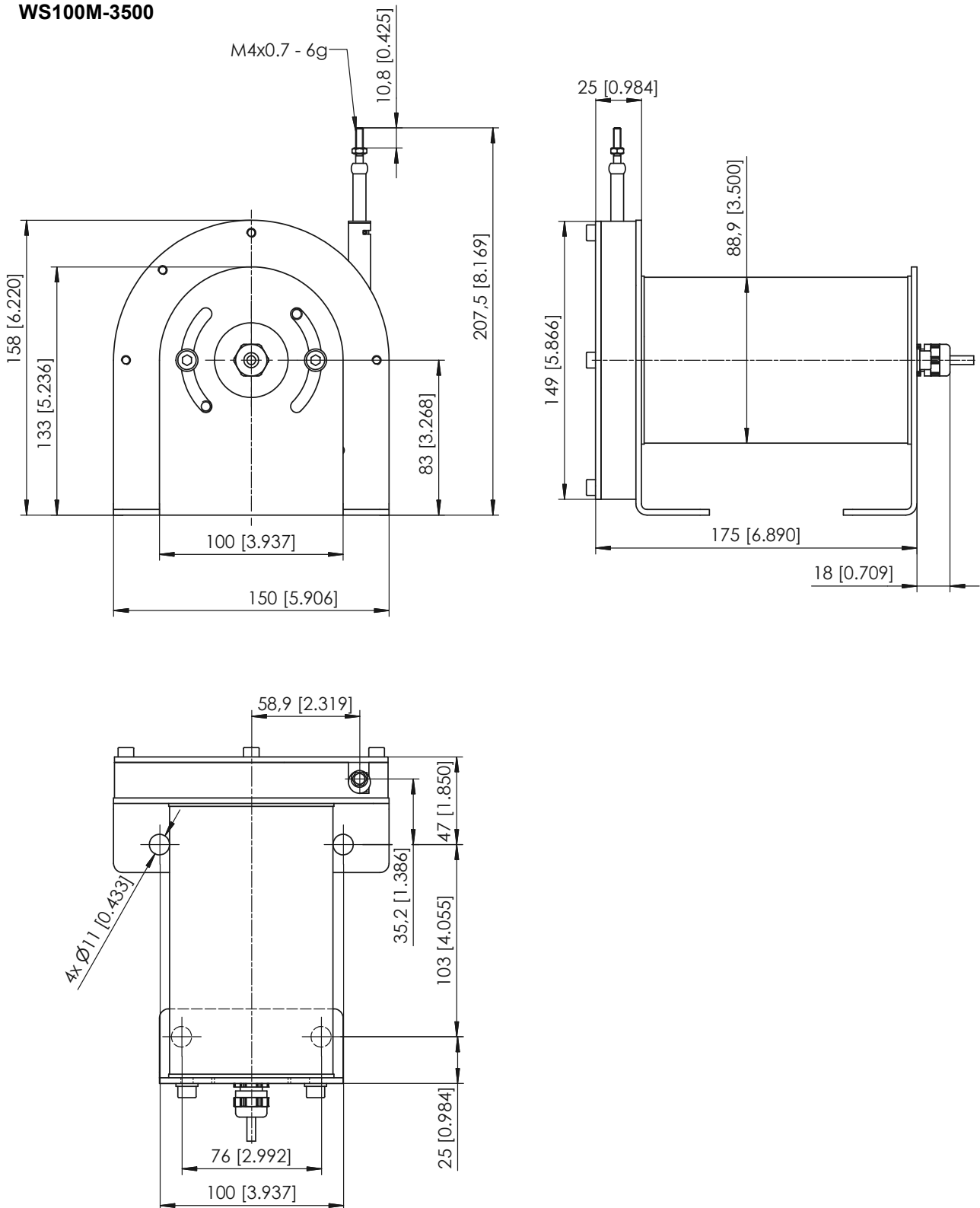
Dimensions informative only.
 For guaranteed dimensions consult factory.

POSIWIRE®
WS100M
 with Analog Output

PRELIMINARY



Outline drawing
 WS100M-3500



Dimensions in mm [inch]

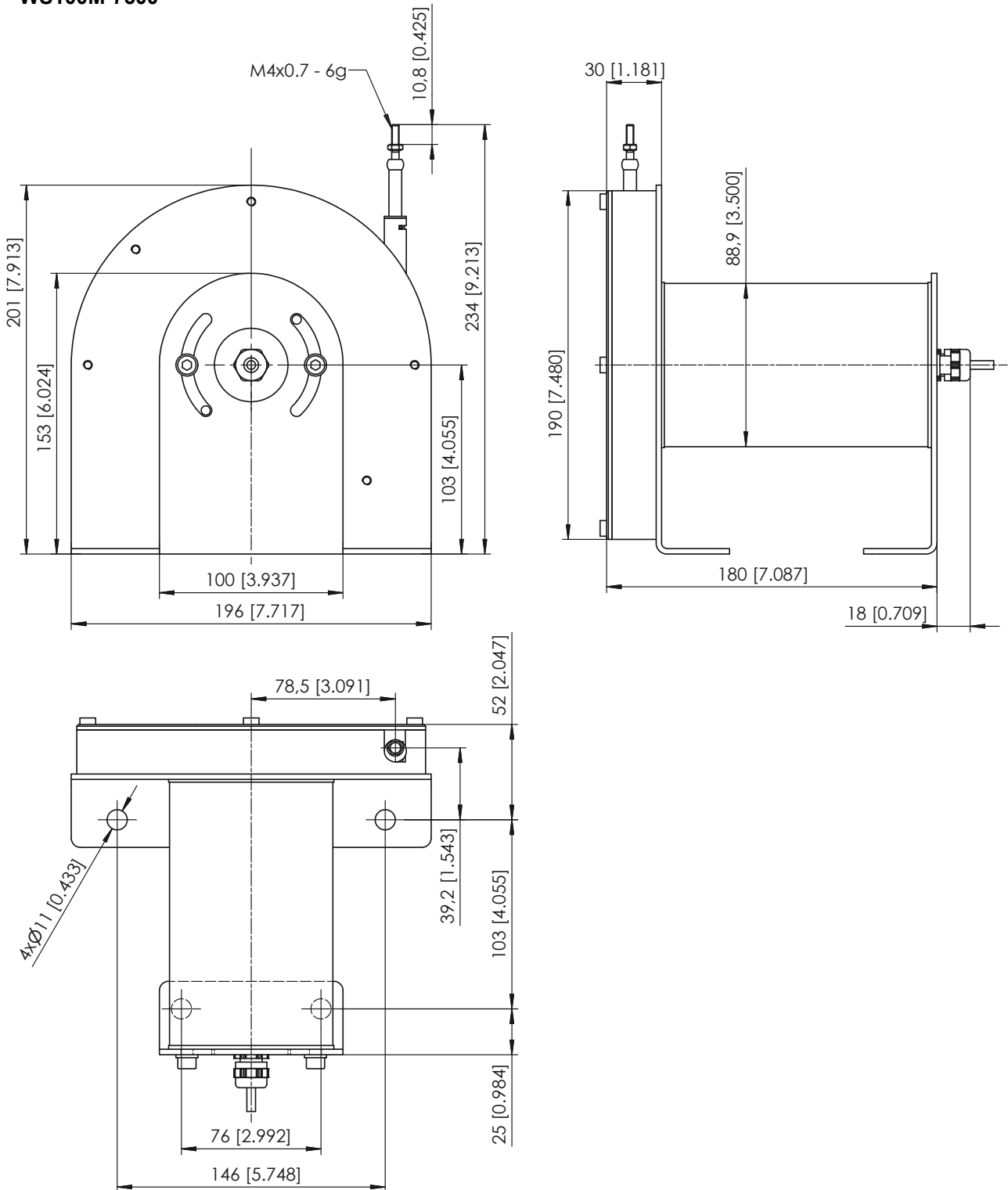
Dimensions informative only.
 For guaranteed dimensions consult factory.

POSIWIRE®
WS100M
 with Analog Output

PRELIMINARY



Outline drawing
 WS100M-7500



Dimensions in mm [inch]

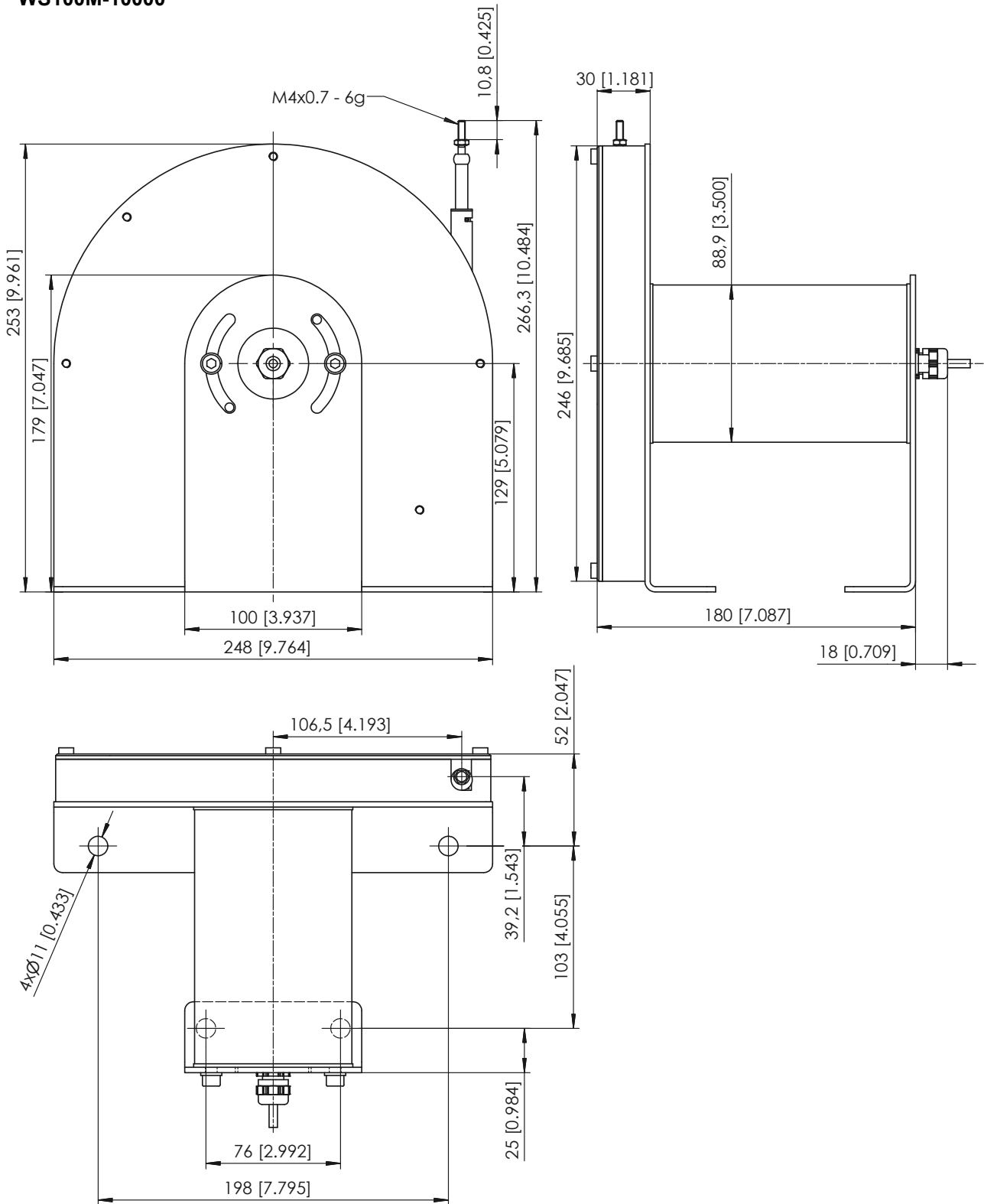
Dimensions informative only.
 For guaranteed dimensions consult factory.

POSIWIRE®
WS100M
 with Analog Output

PRELIMINARY



Outline drawing
 WS100M-10000



Dimensions in mm [inch]

Dimensions informative only.
 For guaranteed dimensions consult factory.