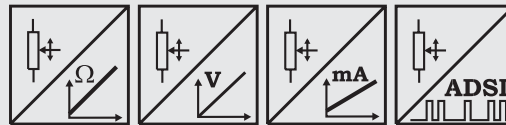


# Model WS10SG with analog or SSI output



### Very compact sensor for industrial applications

- Protection class IP54
- Measurement ranges:  
0 ... 100 mm to 0 ... 1250 mm
- Analog output 0 ... 10 V, 4 ... 20 mA, potentiometer or A/D converted synchronous serial output (SSI)



<b>Specifications</b>	Outputs	Potentiometer: 1 kΩ Voltage: 0...10 V Current: 4...20 mA, 2 or 3 wire Voltage and current output, adjustable A/D converted synchronous serial 16 bit max. (SSI)
	Resolution	Essentially infinite; ADSI16: max. 16 bit full scale
	Material	Aluminium, stainless steel and plastic; Cable: stainless steel
	Sensing Device	Precision potentiometer
	Connector	Male socket 8 pin (M12 or DIN 45326)
	Linearity	Up to ±0.05 % full scale
	Protection Class	IP54
	Weight	350 g approx.
	Environmental	
	EMC	Refer to output specification
Temperature	Refer to output specification	

### Bestellcode WS10SG Analog or SSI

Model Name

#### Measurement Range (in mm)

100 / 125 / 375 / 500 / 750 / 1000 / 1250

#### Outputs (see pages 57 ff.)

- R1K = Potentiometer 1 kΩ (other values on request)
- 10V = With 0 ... 10 V signal conditioner
- 420A = With 4 ... 20 mA signal conditioner (2 wire)
- 420T = With 4 ... 20 mA signal conditioner (3 wire)
- PMU = With 0...10 V/4...20 mA signal conditioner, adjustable
- ADSI16 = With A/D converted synchronous serial output 16 bit (option: 12, 14 bit)

#### Linearity

L10 = ±0.10 %    option:    L05 = ±0,05 %    L25 = ±0.25 %  
Other values on request

#### Cable fixing

- M4 = M4 cable fixing
- SB0 = Cable clip

#### Connection

- M12 = 8 pin socket M12
- D8 = 8 pin socket DIN 45326

WS10SG - [ ] - [ ] - [ ] - [ ] - [ ] - [ ]

Order Code Mating Connector (see accessories p. 82) D8: **CONN-DIN-8F-W** M12: **CONN-M12-8F-G**

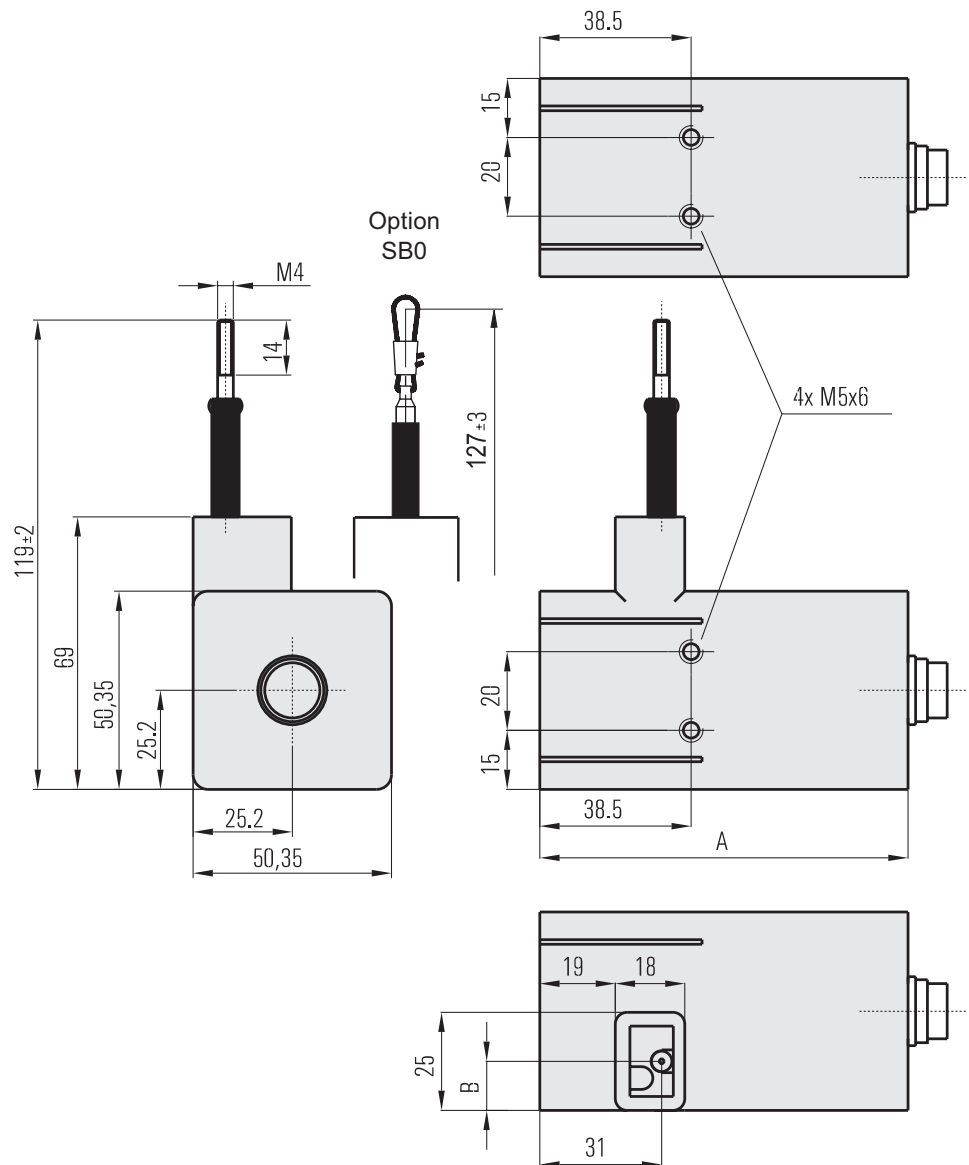
Order Example: **WS10SG - 1250 - 10V - L10**

# Model WS10SG with analog or SSI output



Cable Forces typical at 20 °C	Range	Maximum pull-out force	Minimum pull-in force
	mm	[N]	[N]
	100	4.7	3.0
	125	4.6	2.4
	375	7.4	3.9
	500	5.5	2.8
	750	7.6	3.8
	1000	5.3	2.9
	1250	4.6	2.4

## Outline drawing



Dimensions informative only.  
For guaranteed dimensions consult factory

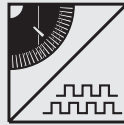
Dimensions	Range	A [mm]	B [mm]
	[mm]		
	375, 750		12.5
	100, 125, 500, 1000, 1250	95.5	8.25

# Model WS10SG with incremental encoder output



## Very compact sensor for industrial applications

- Protection class IP54
- Measurement range:  
0 ... 1250 mm
- With incremental encoder output



Specifications	Outputs	Incremental encoder output with differential push-pull circuit for reliable data transmission. The output is compatible with TTL or HTL.
	Resolution	10 pulses per mm (1/40 mm with external edge counting mode)
	Material	Aluminium, stainless steel and plastic. Cable: stainless steel
	Sensing Device	Incremental encoder
	Connector	Male socket 8 pin (M12 or DIN 45326)
	Linearity	±0.05 % full scale; other values on request
	Protection Class	IP54
	Weight	400 g approx.
	Environmental	
	EMC	Refer to output specification
	Temperature	Refer to output specification

## Order Code WS10SG incremental

WS10SG - [ ] - [ ] - [ ] - [ ] - [ ]

### Model Name

### Measurement Range (in mm)

1250 (all smaller measurement ranges included)

### Pulses per mm

10 = 10 pulses per mm

25 = 25 pulses per mm

Other numbers of pulses on request

### Output (see page 60)

IE24LI = Incremental output TTL compatible inverted

IE24HI = Incremental output HTL compatible inverted

PP530 = Do not use for further developments

### Cable fixing

M4 = M4 cable fixing

SB0 = Cable clip

### Connection

M12 = 8 pin socket M12

D8 = 8 pin socket DIN 45326

Order Code Mating Connector (see accessories p. 82) D8: **CONN-DIN-8F-W** M12: **CONN-M12-8F-G**

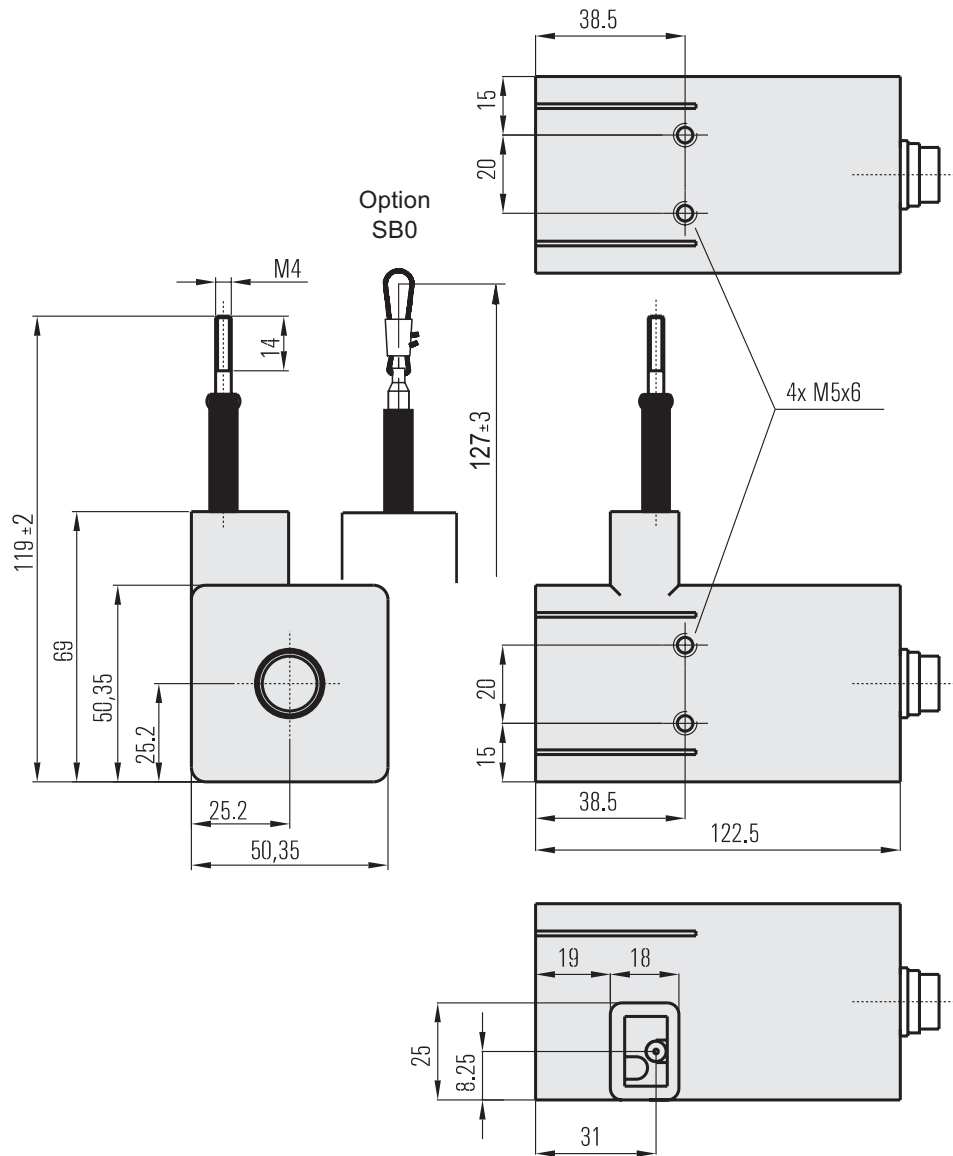
Order Example: **WS10SG - 1250 - 10 - IE24HI - M4 - M12**

# Model WS10SG with incremental encoder output



Cable Forces typical at 20 °C	Resolution	Maximum pull-out force [N]	Minimum pull-in force [N]
	Pulses per mm		
	10	5.8	3.0

## Outline Drawing



Dimensions informative only.  
For guaranteed dimensions consult factory

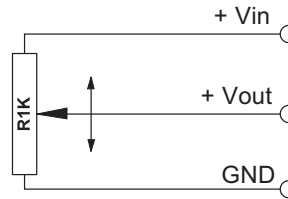
# Output Specifications

## R1K and 10V for WS position sensors

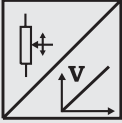


<b>Voltage divider R1K</b> Potentiometer 	Excitation Voltage	32 VDC max. at 1 k $\Omega$ (input power 1 W max.)
	Potentiometer Impedance	1 k $\Omega$ $\pm$ 10%
	Thermal coefficient	$\pm$ 25 x 10 <sup>-6</sup> / °C full scale
	Sensitivity	Depends on measurement range, individual sensitivity of sensor specified on label
	Voltage Divider Utilization Range	Approx. 3% ... 97% of full range
	Operating Temperature	-20 ... +85 °C

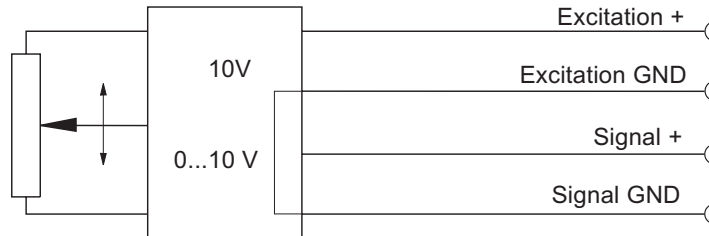
### Signal diagram



Note: The potentiometer must be connected as a voltage divider. The input impedance of the following processing circuit should be 10 M $\Omega$  min.

<b>Signal conditioner 10V</b> Voltage output 	Excitation Voltage	+18 ... +27 V DC non stabilized
	Excitation Current	20 mA max.
	Output Voltage	0 ... +10 V DC
	Output Current	2 mA max.
	Output Load	> 5 k $\Omega$
	Stability (Temperature)	$\pm$ 50 x 10 <sup>-6</sup> / °C full scale
	Protection	Reverse polarity, short circuit
	Output Noise	0,5 mV <sub>RMS</sub>
	Operating Temperature	-20 ... +85 °C
EMC	According to EN 61326:2004	

### Signal diagram

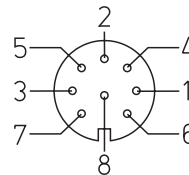


Signal Wiring	Output signals		Cable color	Connector pin no.
	R1K	10V		
	+ Vin	Excitation +	White	1
	GND	Excitation GND	Brown	2
	+ Vout	Signal +	Green	3
		Signal GND	Yellow	4

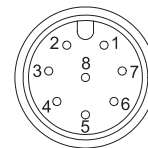
### Connection

#### Mating Connector

View to solder terminals



CONN-DIN-8F-W

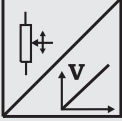


CONN-M12-8F-G

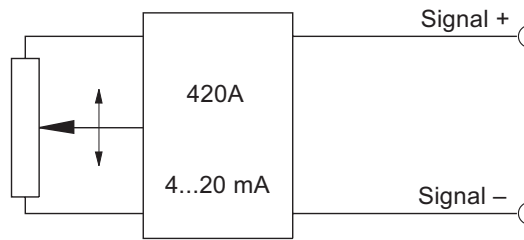
# Output Specifications

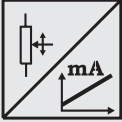
## 420A and 420T for WS position sensors



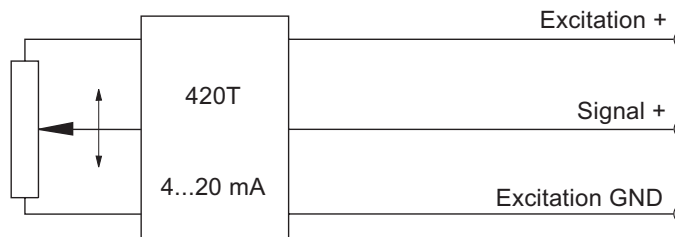
<b>Signal conditioner</b> <b>420A</b> Current output (2 wire) 	Excitation Voltage	+12 ... 27 VDC non stabilized, measured at the sensor terminals
	Excitation Current	35 mA max.
	Output Current	4 ... 20 mA equivalent to 0 ... 100% range
	Stability (Temperature)	$\pm 100 \times 10^{-6} / ^\circ\text{C}$ full scale
	Protection	Reverse polarity, short circuit
	Output Noise	0.5 mV <sub>RMS</sub>
	Operating Temperature	-20 ... +85 °C
	EMC	According to EN 61326:2004

### Signal Diagram



<b>Signal Conditioner</b> <b>420T</b> Current output (3 wire) 	Excitation Voltage	+18...+27 V DC non stabilized
	Excitation Current	40 mA max.
	Load Resistor	350 Ω max.
	Output Current	4 ... 20 mA equivalent to 0 ... 100% range
	Stability (Temperature)	$\pm 50 \times 10^{-6} / ^\circ\text{C}$ full scale
	Protection	Reverse polarity, short circuit
	Output Noise	0.5 mV <sub>RMS</sub>
	Operating Temperature	-20 ... +85 °C
	EMC	According to EN 61326:2004

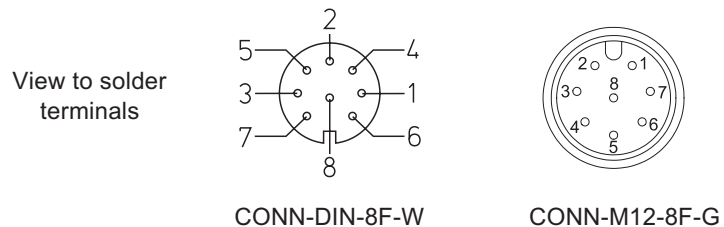
### Signal diagram



Signal Wiring	Output signals		Cable color	Connector pin no.
	420A	420T		
	Signal +	Excitation +	White	1
	Signal -	Excitation GND	Brown	2
		Signal +	Green	3

### Connection

Mating Connector

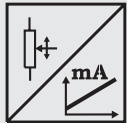
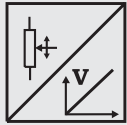


# Output Specification

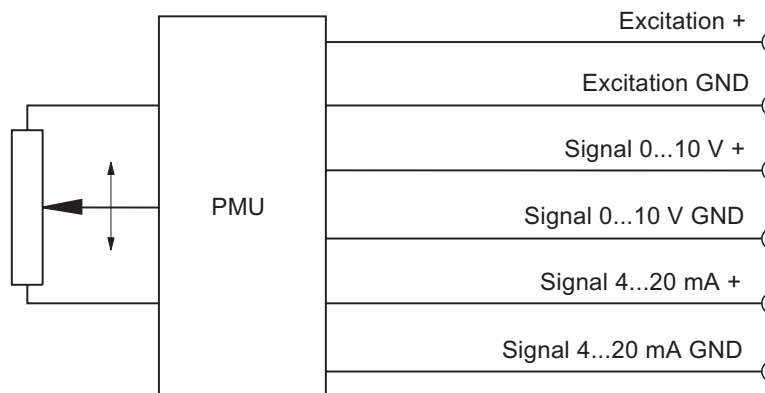
## PMU for WS position sensors



<b>Signal Conditioner PMU, adjustable</b> Voltage output and current output (3 wire)	Excitation voltage	+18 ... 27 V DC
	Excitation current	50 mA max.
	Voltage output	0 ... 10 V
	Output current	10 mA max.
	Output load	1 k $\Omega$ min.
	Current output	4 ... 20 mA (3 wire)
	Load resistor	500 $\Omega$ max.
	Adjustment	
	Activation of offset and gain adjust	Connect with excitation GND (0 V)
	Scalable range	90 % max. full scale
	Stability (Temperature)	$\pm 50 \times 10^{-6}$ / $^{\circ}\text{C}$ full scale
	Protection	Reverse polarity, short circuit
	Output noise	1 mV <sub>eff</sub>
Operating temperature	-20 ... +85 $^{\circ}\text{C}$	
EMC	According to EN 61326:2004	



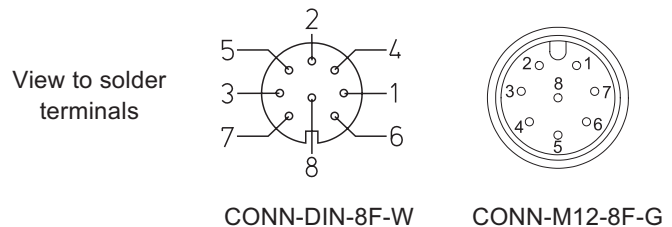
### Signal diagram



Signal wiring	Output signals	Connector pin no.
	Excitation +	1
	Excitation GND	2
	Signal 0...10 V +	3
	Signal 0...10 V GND	4
	Signal 4...20 mA +	5
	Signal 4...20 mA GND	6
	Offset	7
	Gain	8

### Connection

Mating Connector



# Output Specification

## ADSI16 for WS position sensors



- Resolution 16 bit, data transmission synchronous serial/SSI
- Optional available with 12 bit (ADSI) or 14 bit (ADSI14) resolution
- No loss of data at power-down
- Easy to connect to PLC's with SSI input circuit

### Description

The sensing device of the ADSI is a precision potentiometer. The position information is given by an analog/digital converter output serialized as a data word. Data transmission takes place by means of the signals CLOCK and DATA. The processing unit (PLC, Micro-computer) sends pulse sequences which clock the data transmission with the required transfer rate. With the first falling edge of a pulse sequence the position of the sensor is recorded and stored. The following rising edges control the bit-by-bit A/D conversion, encoding and output of the data word. After a delay time the next new position information will be transmitted.

### Data Format

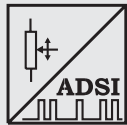
(Train of 26 Pulses)



### Signal Conditioner

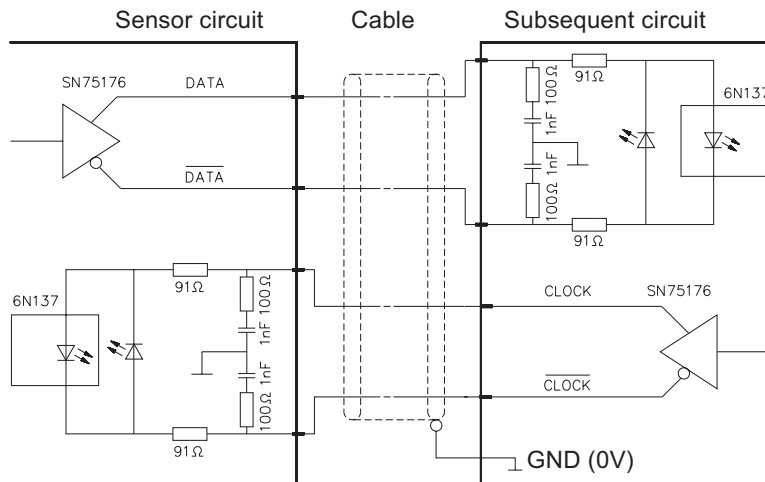
#### ADSI

A/D converted synchronous serial



Output	EIA RS-422, RS-485, short-circuit proof
Excitation voltage	11 ... 27 VDC
Excitation current	200 mA max.
Clock frequency	70 ... 500 kHz
Code	Gray code, continuous progression
Delay between pulse trains	T=30 µs min.
Resolution	16 bit (65536 counts) full scale; optional 12 bit or 14 bit
Stability (temperature)	±50 x 10 <sup>-6</sup> / °C full scale
Operation temperature	-20 ... +85 °C
EMC	According to EN 61326:2004

### Recommended Processing Input Circuit



### Transmission rate

Cable length	Baud rate
< 50 m	< 300 kHz
< 100 m	< 100 kHz

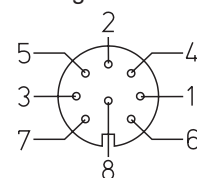
### Note:

Extension of the cable length will reduce the maximum transmission rate. The signals CLOCK/CLOCK and DATA/DATA must be connected in a twisted pair cable, shielded per pair and common.

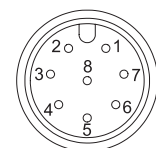
### Signal Wiring

Signal names	Connector pin no.
Excitation +	1
Excitation GND (0V)	2
CLOCK	3
CLOCK	4
DATA	5
DATA	6
Screen	not connected

Mating connector: view to solder terminals



CONN-DIN-8F-W




CONN-M12-8F-G

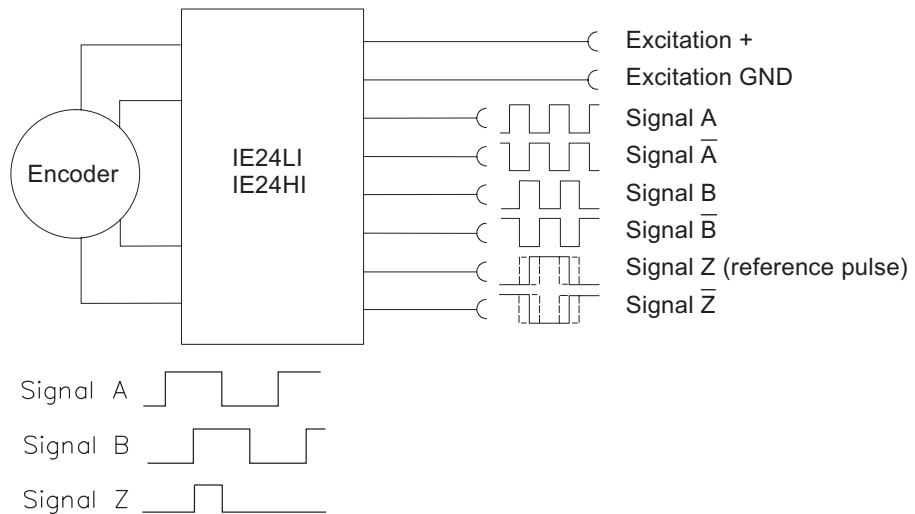
# Output Specifications

## IE24LI and IE24HI for WS position sensors

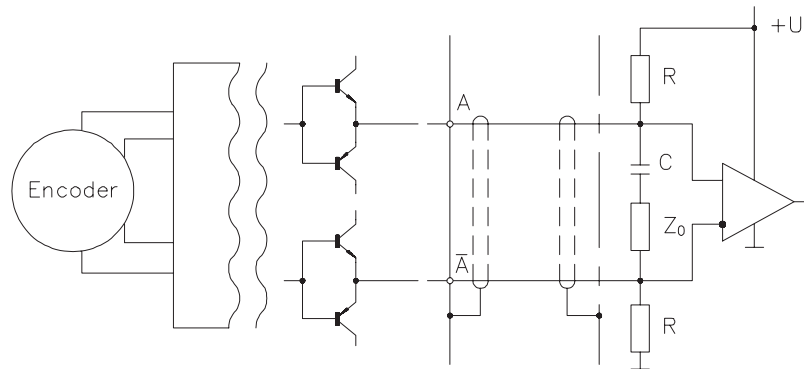


IE24LI and IE24HI incremental	IE24LI		IE24HI
		Excitation voltage	5 V DC $\pm 10\%$
	Excitation current	100 mA max.	
	Output frequency	200 kHz	
	Output	Push-pull and inverted signals	
	Output current	10 mA max.	
	Output voltage	Depending on the excitation voltage	
	Stability (temperature)	$\pm 20 \times 10^{-6} / ^\circ\text{C}$ f.s. (sensor mechanism)	
	Operation temperature	-20 ... +85 $^\circ\text{C}$	
	Protection	Short circuit	
	EMC	According to EN 61326:2004	

### Output signals



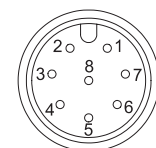
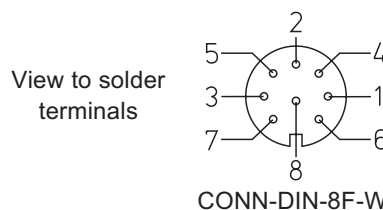
### Output circuit and recommended processing input circuit



Signal wiring	Output signals	Cable color	Connector pin no.
	Excitation +	Brown	1
	Excitation GND	White	2
	Signal B (A + 90°)	Grey	3
	Signal A	Green	4
	Signal B-bar	Pink	5
	Signal A-bar	Yellow	6
	Signal Z (reference pulse)	Blue	7
	Signal Z-bar	Red	8

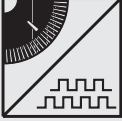
### Connection

Mating connector

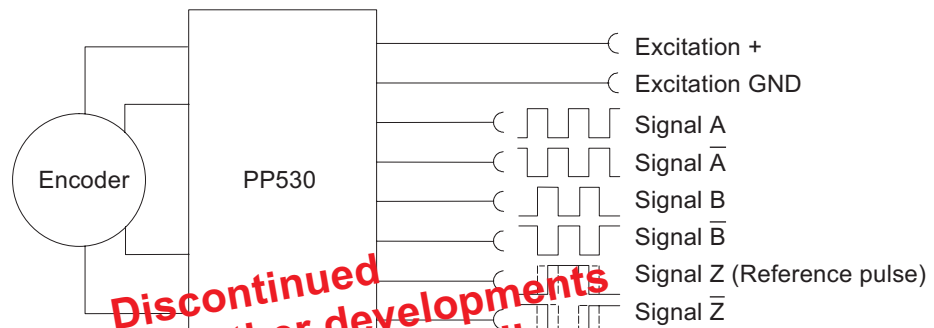


# Output Specification PP530 for WS position sensors



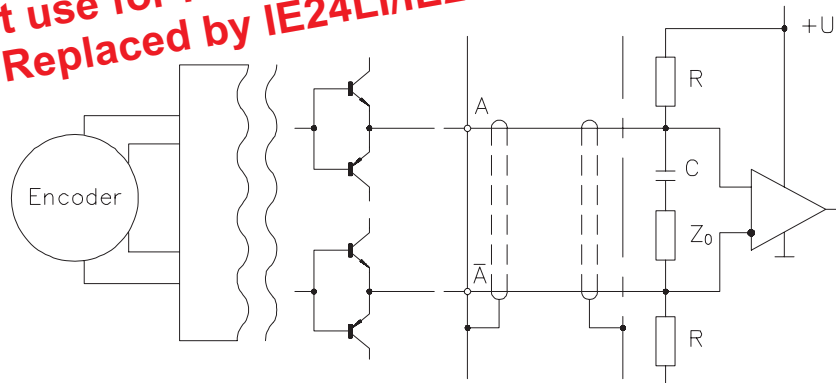
<b>Signal Conditioner</b> <b>PP530</b> Incremental 	Excitation Voltage	+5 ... +30 VDC
	Excitation Current	200 mA max.
	Output Frequency	200 kHz max.
	Output	Linedriver, Push-Pull, CMOS, TTL and HTL compatible
	Output Current	30 mA max., short circuit protection
	Output Voltage	Depends on the excitation voltage (e.g. to obtain TTL-signals the excitation must be 5 V.) Compatible to EIA RS-422/RS-485
	Stability (Temperature)	$\pm 20 \times 10^{-6} / K$ full scale (sensor mechanism)
	Operation Temperature	-10 ... +70 °C
	Storage Temperature	-30 ... +80 °C
	Transition Time Positive Edge	250 ns
	Transition Time Negative Edge	250 ns
	Protection	Reverse polarity, short circuit
	EMC	According to EN61326:2004

## Signal Diagram



## Recommended Processing Circuit

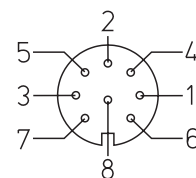
Discontinued  
 Don't use for further developments  
 Replaced by IE24LI/IE24HI



Signal Levels	Excitation	Level	$I_a \leq 5 \text{ mA}$	$I_a \leq 25 \text{ mA}$	$-I_a \leq 5 \text{ mA}$	$-I_a \leq 25 \text{ mA}$
	5 V	$U_{aHigh}$	$>4.2 \text{ V}$	$>4.2 \text{ V}$	$>4.1 \text{ V}$	$>3.8 \text{ V}$
5 V	$U_{aLow}$	$<0.5 \text{ V}$	$<1.2 \text{ V}$	$<0.4 \text{ V}$	$<0.4 \text{ V}$	
24 V	$U_{aHigh}$	$>23.5 \text{ V}$	$>23.5 \text{ V}$	$>23.5 \text{ V}$	$>22.5 \text{ V}$	
24 V	$U_{aLow}$	$<0.5 \text{ V}$	$<1.2 \text{ V}$	$<0.4 \text{ V}$	$<0.4 \text{ V}$	

Signal Wiring / Connection	Output signals	Connector CONN-DIN-8F
	Excitation +	1
Excitation GND (0V)	2	
Signal B (A + 90°)	3	
Signal A	4	
Signal B-bar	5	
Signal A-bar	6	
Signal Z (reference pulse)	7	
Signal Z-bar	8	

Mating connector  
View to solder terminals



CONN-DIN-8F-W