

POSIWIRE®
WS58C
with Absolute Encoder Output

PRELIMINARY



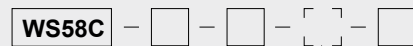
Ultra compact position sensor for OEM's

- Protection class IP50
- Measurement range 0 ... 2500 mm
- With absolute encoder output



| Specifications | | |
|--|--|--|
| Output | | See order code |
| Resolution for 12 bit/revolution (4096 steps/revolution) | | 0.04 mm Distance/revolution 163,84 mm |
| Material | | Aluminum and stainless steel; measuring cable: stainless steel |
| Sensing device | | Absolute encoder |
| Connection | | Depending on the encoder type: connector or bus cover |
| Linearity | | ±0.05% f. s.; ±0.01% f. s. as option |
| Protection class (DIN EN 60529) | | IP50 (IP64 as option) |
| Weight | | 0.6 kg max. |
| Environmental | | |
| EMC | | Refer to output specification |
| Temperature | | Refer to output specification |

Order code WS58C



Model name

Measurement range (in mm)

2500 (smaller measurement ranges included)

Output

- HSSI = Absolute encoder with synchronous serial interface (SSI)
- HPROF = Absolute encoder with Profibus interface
- HDEV = Absolute encoder with DeviceNet interface
- HCAN = Absolute encoder with CAN interface
- HCANOP = Absolute encoder with CANopen interface

Linearity (option)

L01 = ±0,01% f. s.

Cable fixing

- M4 = M4 thread
- SB0 = Cable clip

Order code mating connector

SSI: **CONN-CONIN-12F-G**

Order example: WS58C - 2500 - HSSI - M4

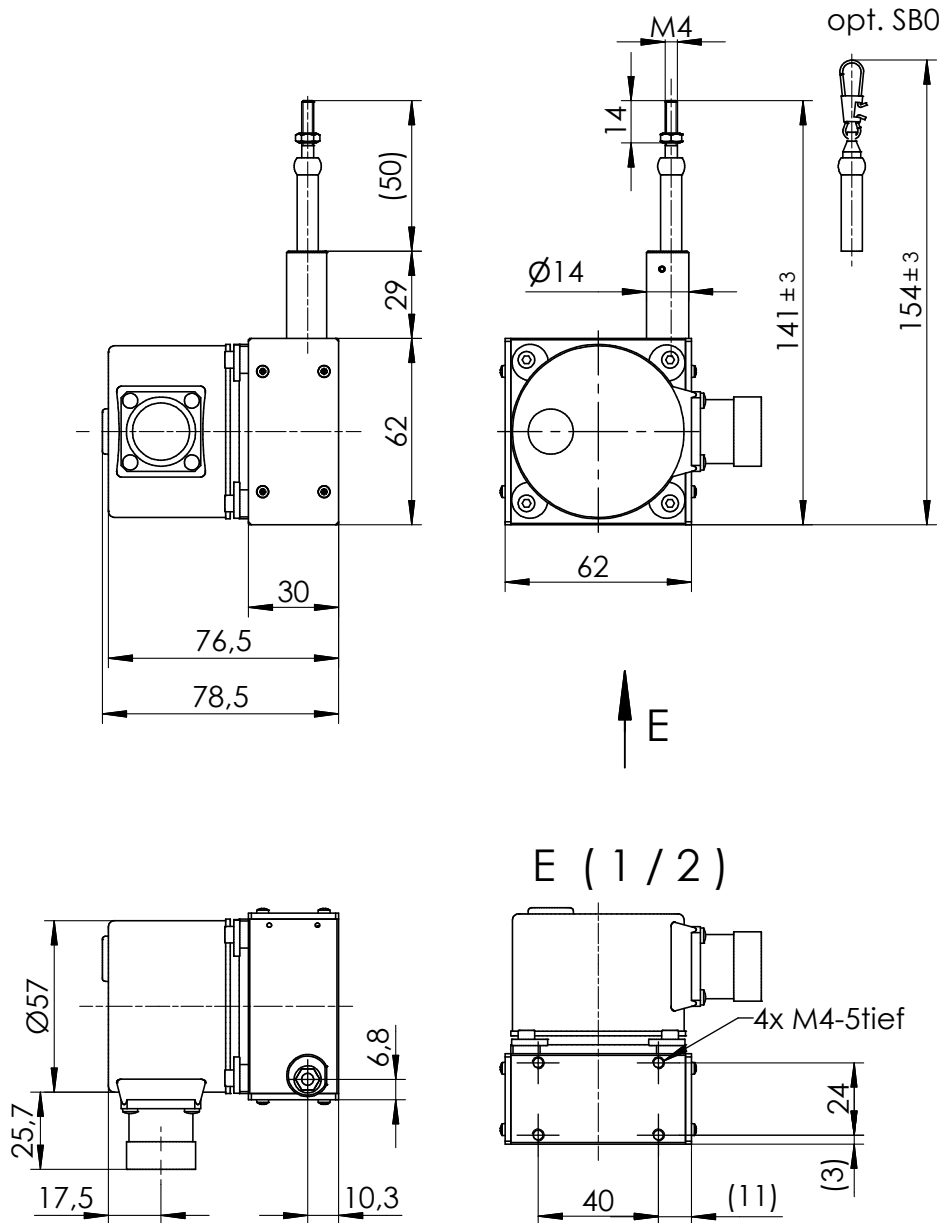
POSIWIRE®
WS58C
with Absolute Encoder Output



PRELIMINARY

| Cable forces, typical at 20 °C | Measurement range | Max. pull-out force | Min. pull-in force |
|-----------------------------------|-------------------|---------------------|--------------------|
| | [mm] | [N] | [N] |
| | 2500 | 4,0 | 1,6 |

**Outline drawing
HSSI**



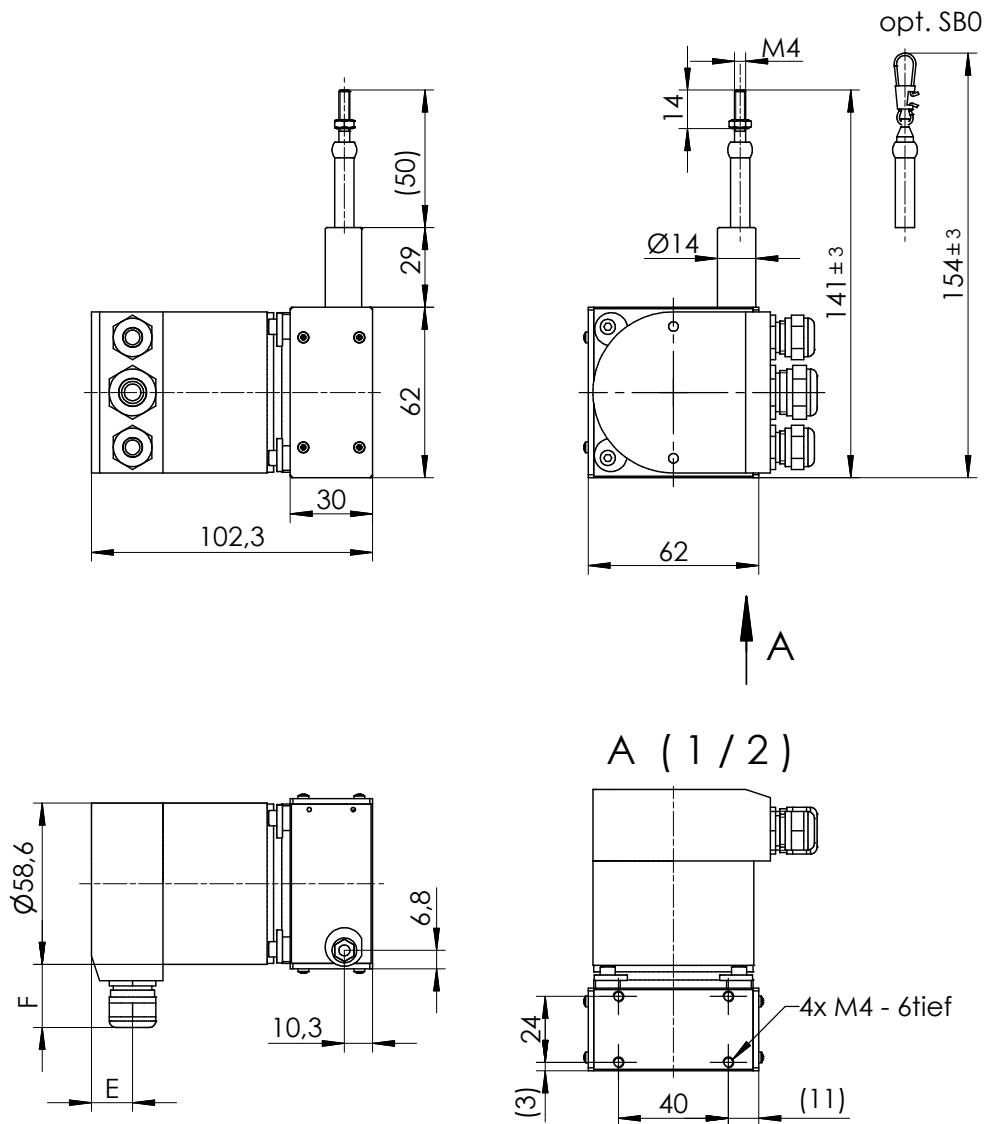
Dimensions informative only.
For guaranteed dimensions consult factory.

POSIWIRE®
WS58C
 with Absolute Encoder Output



PRELIMINARY

Outline drawing
 HPROF/HDEV/
 HCAN/HCANOP



Dimensions E and F depending on the encoder type

Dimensions informative only.
 For guaranteed dimensions consult factory.