

DMi Model: XTS 375

FLANGE MOUNT TORQUE TRANSDUCER



PERFORMANCE SPECIFICATIONS

(FSO is Full Scale Output)

TORQUE RANGES: 25 in-oz to 300 in-lb

EXCITATION: 10 VDC, 15 VDC Max

OUTPUT: 2 mV/V Nominal

BRIDGE RESISTANCE: 350 ohms

LINEARITY: }
HYSTERESIS: } ±0.20% FSO, Combined

REPEATABILITY:

ZERO BALANCE: ±2.0% FSO

OPERATING TEMP RANGE: -65 to +225°F (-54 to +107°C)

COMPENSATED TEMP

RANGE: +60 to +160°F (+15 to +71°C)

THERMAL EFFECTS:

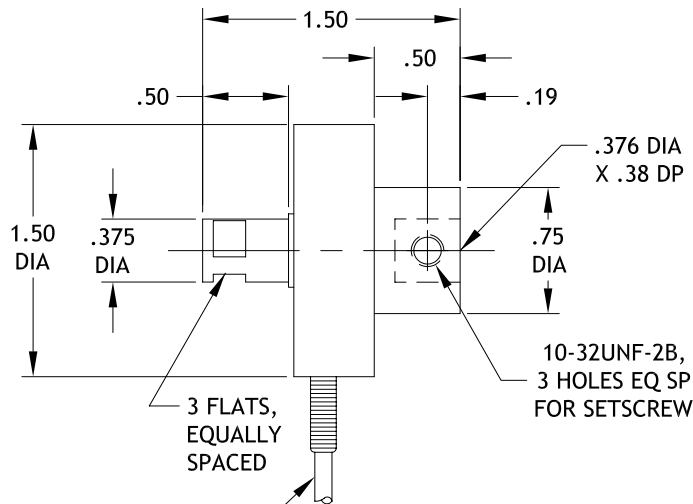
on Zero ±0.005% FSO/°F

on Span ±0.005% Reading/°F

SAFE OVERLOAD: 150% of Capacity

ULTIMATE OVERLOAD: 300% of Capacity

CASING MATERIAL: Stainless Steel



5 FT 4-CONDUCTOR CABLE
WIRING CODE:

White +Output
Green -Output
Black -Input
Red +Input

PART NUMBER	CAPACITY
XTS375-025Z	25 in-oz
XTS375-030Z	30 in-oz
XTS375-100Z	100 in-oz
XTS375-120Z	120 in-oz
XTS375-150Z	150 in-oz
XTS375-200Z	200 in-oz
XTS375-0025	25 in-lb
XTS375-0050	50 in-lb
XTS375-0100	100 in-lb
XTS375-0150	150 in-lb
XTS375-0250	250 in-lb
XTS375-0300	300 in-lb

All dimensions are inches, unless otherwise noted.